

## Specifications

Input Level	MIC setting: -36 dBu ideal -6 dBu max LINE setting: 0 dBu ideal +36 dBu max
Output Level	nominal MIC levels
Frequency Response	20Hz to 20 KHz (+/- 3 dB)
Phantom Power	Dual regulated 48 volt power supplies Current to 14 mA (direct short)
Level Meter	LED indicators from -51 dBu to -33 dBu
Battery Type	One 9 volt alkaline battery LED battery indicator
Battery Duration	3 hours continuous use typical
Case	Powder coated aluminum
Dimensions	5.25" L x 3.5" W x 1.25" H
Weight	16 oz

### Limited One Year Warranty

This warranty covers any defects or malfunction in your new BeachTek adapter for one full year.

BeachTek will replace any defective or malfunctioning adapter, within the warranty period, with a new unit at no charge. The warranty does not cover damage resulting from accident, alteration, misuse or abuse. The device must be sent to our service center at your expense.

Should you require service please contact us first before returning the unit to us. Return instructions can be found on our website at [www.beachtek.com/questions.html](http://www.beachtek.com/questions.html)

Upon receiving the returned adapter it will be inspected and replaced if found defective. The unit will be shipped back to you within five business days at our expense.

#### **BeachTek Inc.**

1855 Kirschner Road, Suite 230  
Kelowna, BC, V1Y 4N7

tel (416) 690-9457

email [adapter@beachtek.com](mailto:adapter@beachtek.com)

web [www.beachtek.com](http://www.beachtek.com)

# DXA-6vu

Operating Instructions for the DXA-6vu  
Camcorder XLR Adapter



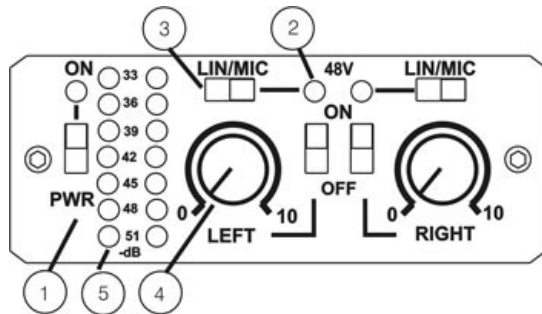
*The BeachTek DXA-6vu is a two channel, transformer balanced XLR adapter with built-in 48 volt phantom power supplies for powering two condenser microphones. It also features built in LED meters to check input levels at a glance. This adapter is designed to easily attach balanced or unbalanced type microphones to a consumer or prosumer camcorder. The DXA-6vu gives you all the benefits of using balanced audio devices for clean audio as well as control over the signal levels to ensure the best possible sound recording.*

*The DXA-6vu is very easy to set up and use. Its rugged construction ensures years of use and its compact size fits neatly under any camcorder - can also be mounted to any standard tripod. Since the adapter is a passive device, it is completely silent and the premium transformers ensure superb audio.*

- Before using this high quality device, please read this operating manual thoroughly to obtain the highest performance.
- Please contact us if you have any problems or questions.

# BeachTek

## Front Panel Controls and Indicators



## Mounting and Connection

Mount the DXA-6vu securely to the tripod bushing on the under side of your camcorder. Connect the cable from the DXA-6vu to the camcorder's microphone jack. The camcorder's onboard microphone should now be disabled. You are now ready to attach external audio devices to the adapter.

## Adapter Controls and Connectors

### 1.) Power

Install a fresh 9 volt alkaline battery in the adapter if you wish to use phantom power (battery is not required to pass the audio signal). Turn on the unit to activate the phantom power supplies. The Power LED should light to indicate good battery power. Turn off the power when not in use to conserve battery power.

### 2.) Phantom Power

If your condenser microphone requires 48 volts phantom power to operate, first connect the microphone to the adapter. Activate the PWR ON switch and then the PH ON switch for the channel it is connected to. The LED above the corresponding channel trim control should light to indicate that 48 volt power is present. Do not plug dynamic microphones, unbalanced devices, wireless receivers or feeds from mixing boards into the adapter with the phantom power activated as it may damage the connecting device.

### 3.) MIC / LINE Switches

To connect a microphone to either channel of the DXA-6vu, set the corresponding MIC/LINE switch to MIC. To connect a line level output from a mixer to the DXA-6vu, set the MIC/LINE switch to LINE to activate a 40 dB pad. This attenuates the signal to the proper level so that it will not overdrive the input of your camcorder.

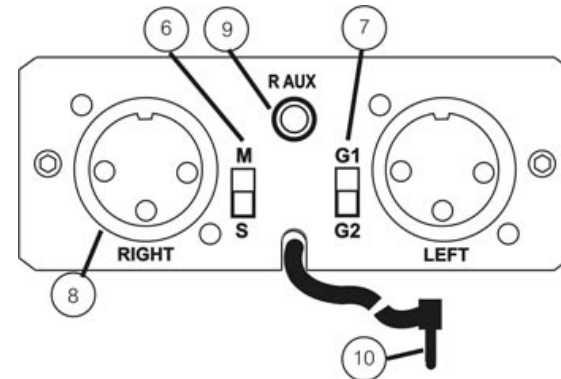
### 4.) Trim Controls

Each channel has a passive trim control that attenuates the input signal from unity to no output. Adjust each trim control to give you a maximum reading of -36 dBu on the level meter. The yellow LED should not activate. This will give you the ideal recording level for the highest signal to noise ratio on most camcorders.

If your camcorder allows you to switch the Auto Gain Control (AGC) off, you can use this option for manual control over the audio levels. Initially set the camera gain to about 30% of maximum. You can then fine tune the camera gain control to the proper recording level as recommended by the camera manufacturer.

As a guide, the recording levels should be no higher than -12 dBFS (Full Scale). Please refer to your camcorder's user manual for more information on setting the proper recording levels.

## Rear Panel Controls and Connections



### 5.) LED Level Indicators

The meter will show the signal levels of each channel going into the camcorder. You can use this as a guide to monitor the levels for optimum recording quality. The ideal setting is for the signal to be as high as possible without activating the yellow -33 dBu LED.

### 6.) MONO / STEREO Switch

The MONO setting mixes both channels together and sends the audio to both the right and left channels which is ideal when only one microphone is being used. Stereo keeps both channels separated when two microphones are connected to the adapter for two discreet audio channels. When in MONO mode, be sure to keep the trim control on the unused channel fully clockwise to reduce the loading effect on the working channel.

### 7.) Ground Lift Switch

Set the G1/G2 ground switch on the DXA-6vu to the position that gives you the least amount of noise. This switch allows the input and output grounds to be isolated to prevent ground noise on some Sony camcorders.

### 8.) XLR Inputs

The two XLR inputs can accept balanced or unbalanced connections. To convert the input to unbalanced, simply ground pin 1 to 3 on the XLR input cable. We recommend the use of sensitive condenser type microphones for the best results. Dynamic microphones usually do not have sufficient output levels and may result in an excessive amount of hiss from the high level of amplification necessary by the camera's audio preamplifiers. Microphones with a sensitivity rating of greater than -40 dBV are ideal.

### 9.) AUX Input

To attach audio devices with mini-jack connectors, use the AUX input on the adapter. This sends the signal to the right input and you should therefore disconnect any cables from the right XLR connector to avoid interference.

### 10.) Output Cable

The attached shielded cable terminates in a gold plated, stereo mini plug connector. Plug this into the microphone jack on your camcorder.